

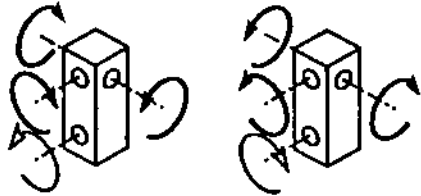
Specifications

Gear ratio 110:1
 Motor: 12 volt D.C.
 Motor speed: 6000 RPM no load.
 Max. output torque: 28.08 ft. lbs at 24 amps.
 Max. horse power 1/4 (approx)
 No load speed: 54 RPM (approx)
 Duty cycle 40%
 Weight: 7 1/2 lbs (approx.)

Construction

Case: aluminum
 Gears: steel
 Factory adjusted ball detent Torque Limiter.
 Oil impregnated sintered bronze bearings.

ROTATION

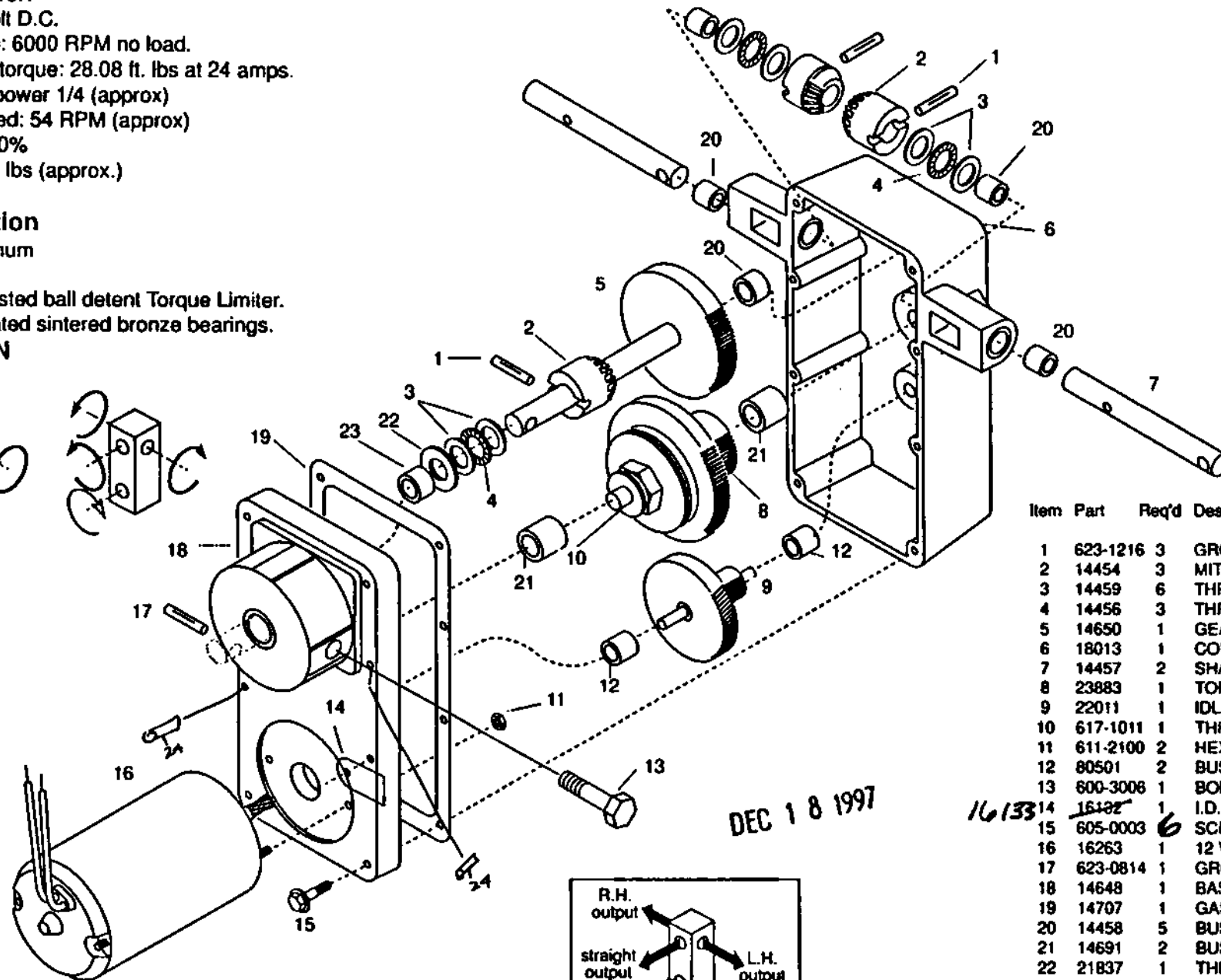


POWERHEAD ASSEMBLY-DUAL 110:1

barker

BARKER MANUFACTURING CO.
BATTLE CREEK MI 49016

MODEL #17880



Item	Part	Req'd	Description
1	623-1216	3	GROOVE PIN (3/16")
2	14454	3	MITER GEAR
3	14459	6	THRUST WASHER
4	14456	3	THRUST BEARING
5	14650	1	GEAR AND SHAFT ASSEMBLY
6	18013	1	COVER
7	14457	2	SHAFT
8	23883	1	TORQUE LIMITER (FACTORY SET)
9	22011	1	IDLER SHAFT ASSEMBLY
10	617-1011	1	THRUST BEARING
11	611-2100	2	HEX NUT
12	80501	2	BUSHING (3/16" I.D.)
13	600-3008	1	BOLT (3/8-16 X 3/4")
14	16132	1	I.D. TAG
15	605-0003	6	SCREW
16	16263	1	12 VOLT MOTOR
17	623-0814	1	GROOVE PIN (1/4")
18	14648	1	BASE
19	14707	1	GASKET
20	14458	5	BUSHING (1/2" I.D. X 1/2")
21	14691	2	BUSHING (3/8" I.D.)
22	21837	1	THRUST WASHER
23	14489	1	BUSHING (1/2" I.D. X 3/4")
24	621-0005	2	1/4 x 1" DOWEL

DEC 18 1997

