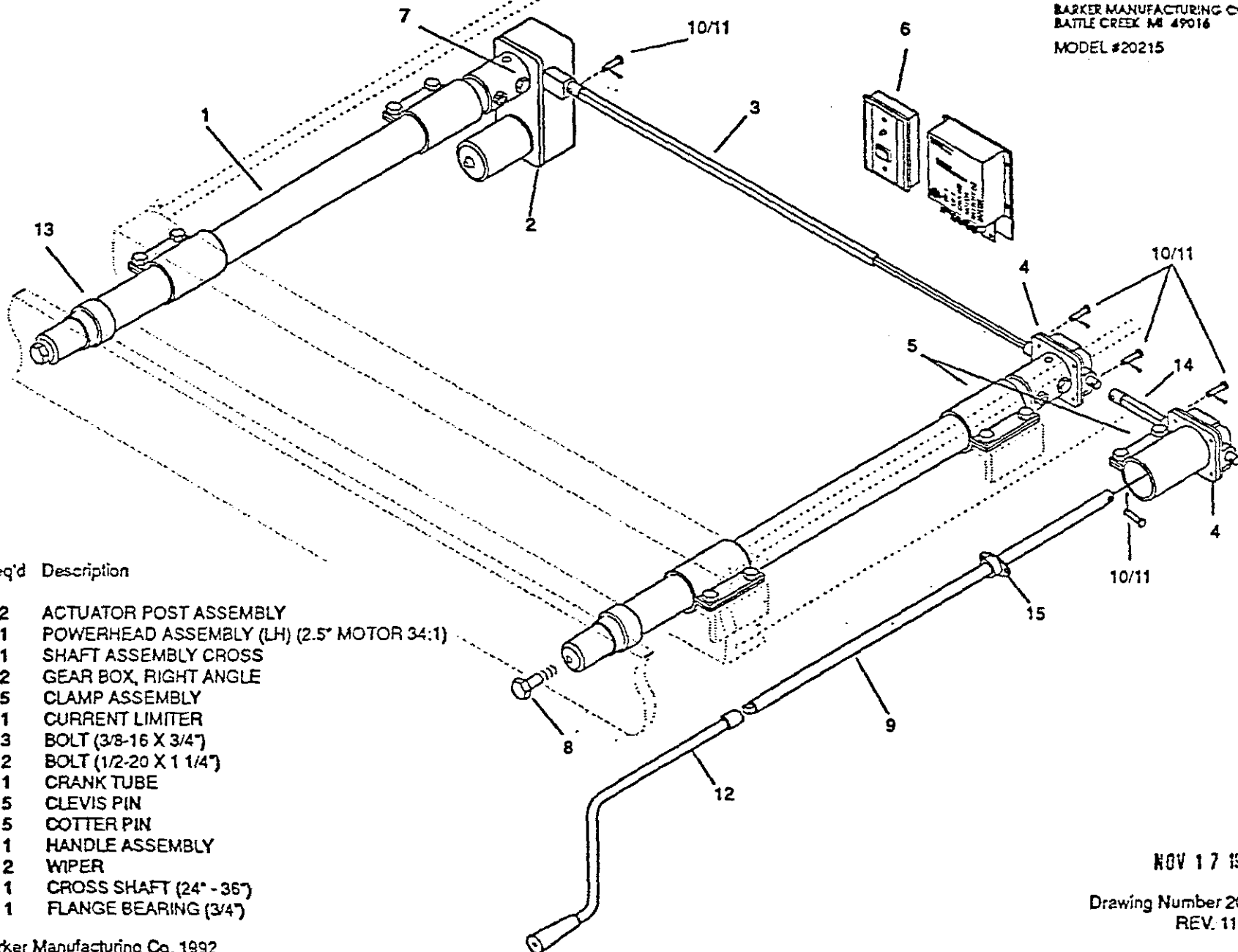


SLIDE OUT MECHANISM ASSEMBLY
48" STROKE

barker

BARKER MANUFACTURING CO.
BATTLE CREEK MI 49016
MODEL #20215



Item	Part	Req'd	Description
1	16179	2	ACTUATOR POST ASSEMBLY
2	17300	1	POWERHEAD ASSEMBLY (LH) (2.5" MOTOR 34:1)
3	17828	1	SHAFT ASSEMBLY CROSS
4	17305	2	GEAR BOX, RIGHT ANGLE
5	14806	5	CLAMP ASSEMBLY
6	20672	1	CURRENT LIMITER
7	600-3006	3	BOLT (3/8-16 X 3/4")
8	600-6000	2	BOLT (1/2-20 X 1 1/4")
9	19652	1	CRANK TUBE
10	643-0003	5	CLEVIS PIN
11	625-0000	5	COTTER PIN
12	19071	1	HANDLE ASSEMBLY
13	15501	2	WIPER
14	18788	1	CROSS SHAFT (24" - 36")
15	21263	1	FLANGE BEARING (3/4")

NOV 17 1993

Drawing Number 20236
REV. 111193