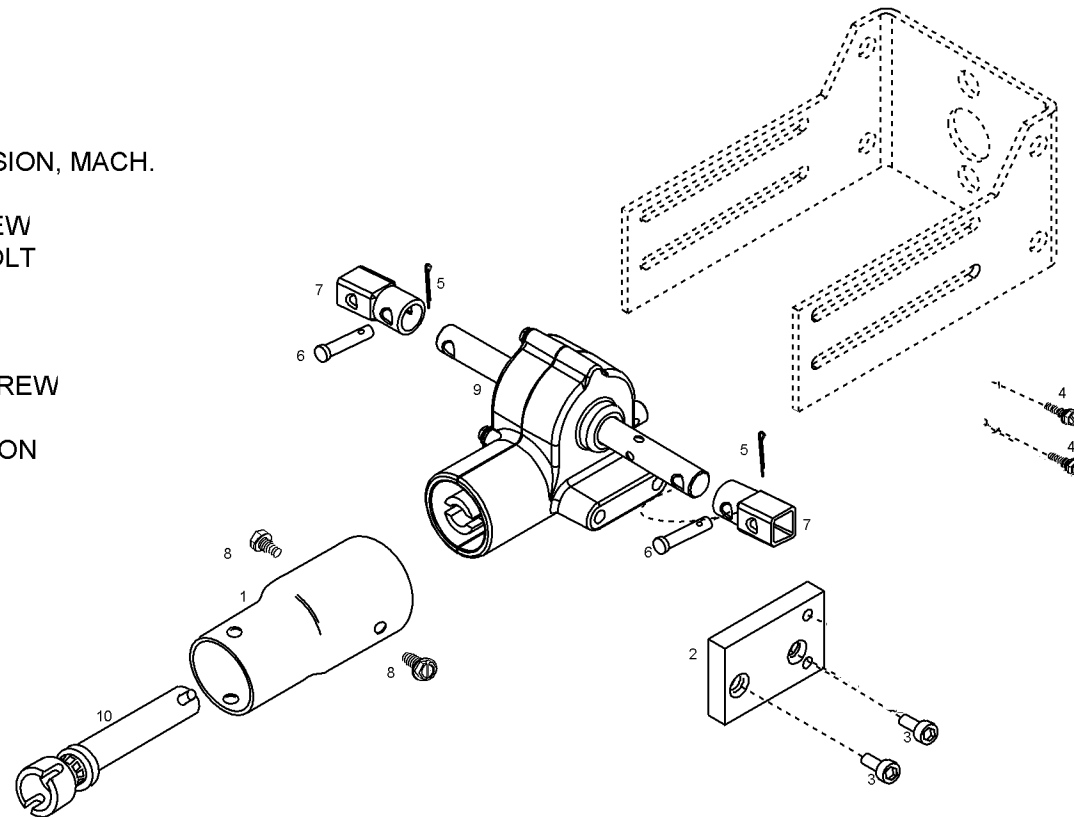


Item	Part	Req'd	Description
1	29535	1	EXHAUST PIPE EXTENSION, MACH.
2	30435	1	ADAPTER PLATE
3	601-0033	2	.38-16 X .63 S.H.C.SCREW
4	600-0034	2	31-18 X 1 HEX HEAD BOLT
5	625-0013	2	COTTER PIN
6	643-0021	2	CLEVIS PIN
7	24428	2	COUPLER
8	606-0007	2	Ø.25-20 X .5 TYPE F SCREW
9	24185	1	WORM DRIVE
10	29532	1	DRIVE SHAFT EXTENSION



TITLE: WORM DRIVE RETRO KIT		
COMPANY: CANADA # (63-300967)		
MODEL # 30436	DATE: 17 JULY 07	DRAWING #: 30438
REVISION LETTER: A	ECN#: 13573	APPROVED: